

Thank you for your purchase of an aerodynamic product from FlowBelow. We strive to provide a smooth buying and installation experience. To ensure the proper product is shipped and delivered in a timely manner, it is important that we receive accurate information about your truck and fleet. Please complete the form below.

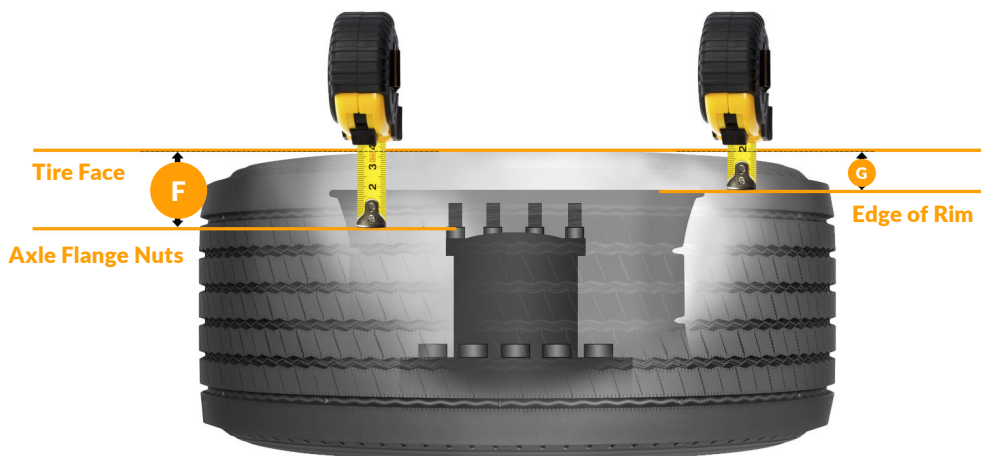
Part 1 : Customer Information

FULL NAME	TRUCK MAKE
PRIMARY PHONE	TRUCK MODEL
PRIMARY EMAIL	TRUCK YEAR

Part 2 : Wheel Covers

To ensure the proper wheel cover bracket, please provide the following information and measurements (rounded to 1/8").
USEFUL TIP: For accurate measurements, place a sturdy and straight rod or pole (metal or wood) across the tire face.

- A** WHAT IS THE **AXLE FLANGE NUT SIZE** ON YOUR VEHICLE? 5/8" 3/4"
- B** WHAT IS THE **RIM SIZE** ON YOUR VEHICLE? 19.5" 22.5" 24.5"
- C** IS YOUR VEHICLE EQUIPPED WITH THE **HALO TIRE INFLATION SYSTEM**? Yes No
- D** DOES YOUR VEHICLE HAVE A **TAG AXLE**? Yes No
- E** DOES YOUR VEHICLE HAVE A **LIFT AXLE**? Yes No
- F** MEASURE THE **DISTANCE FROM THE TIRE FACE TO THE TOP OF THE AXLE FLANGE NUTS**:
- G** MEASURE THE **DISTANCE FROM THE TIRE FACE TO THE EDGE OF THE RIM**:
- H** WHEEL COVER COLOR: Black White Granite Gray Polished Chrome
- I** SELECT YOUR **WHEEL TYPE**: Duals Super Singles

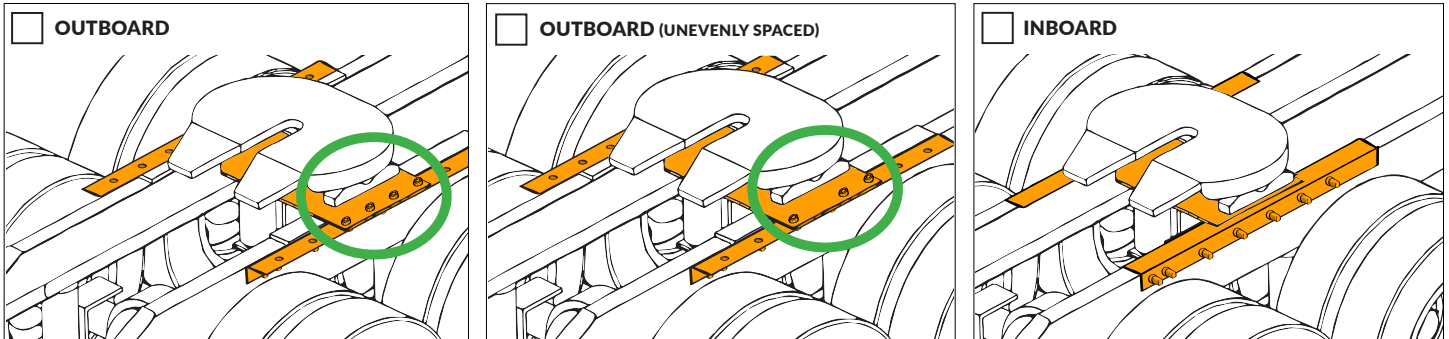


Tractor AeroKit orders... please complete all information on the next page.
Wheel Cover ONLY orders... you can stop here.

Part 3 : Center Fairings

A WHAT TYPE OF **FIFTH WHEEL** IS ON YOUR VEHICLE? Fixed Slider

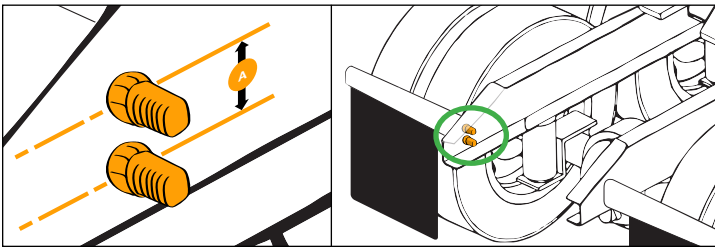
B PLEASE CHECK THE BOX THAT CORRESPONDS WITH YOUR **FIFTH WHEEL CONFIGURATION**



Part 4 : Rear Fairings & Mudflaps

Mudflap Hanger Mounting - Please verify the mounting hole distance by measuring the center to center distance between the mudflap mounting holes/studs.

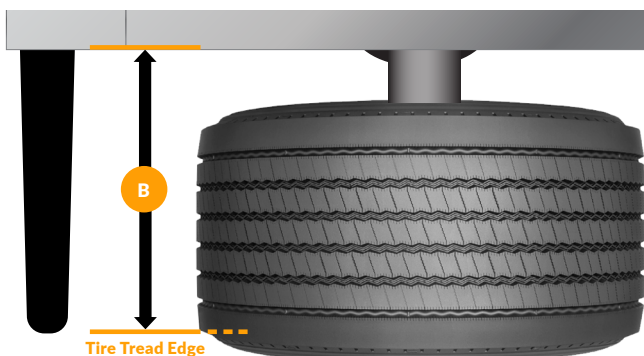
A MEASURE THE **BOLT HOLE SPACING** IN THE TRUCK FRAME



- 1 ½" SPACING, VERTICAL ORIENTATION
 2" SPACING, VERTICAL ORIENTATION
 2 ½" SPACING, VERTICAL ORIENTATION
 HORIZONTAL/OTHER* _____

*Other configurations require drilling into frame.

B MEASURE THE DISTANCE **BETWEEN THE FLAT SURFACE OF THE OUTSIDE OF THE FRAME AND THE OUTER EDGE OF THE TIRE TREAD**



- 25 ½" 28 ½" 31 ½"
 27" 30" OTHER** _____

** Non-standard lengths might incur additional cost.

NOTE: Measure to the tire tread edge and not the tire face.

Part 5 : Order Processing

Please email a copy of your completed form to support@flowbelow.com

We thank you for your interest in FlowBelow's aerodynamic products and the opportunity to increase your fleet efficiency. You may include photos if you are unsure about any of your selections.