



*FlowBelow*<sup>™</sup>

# Parts Catalog



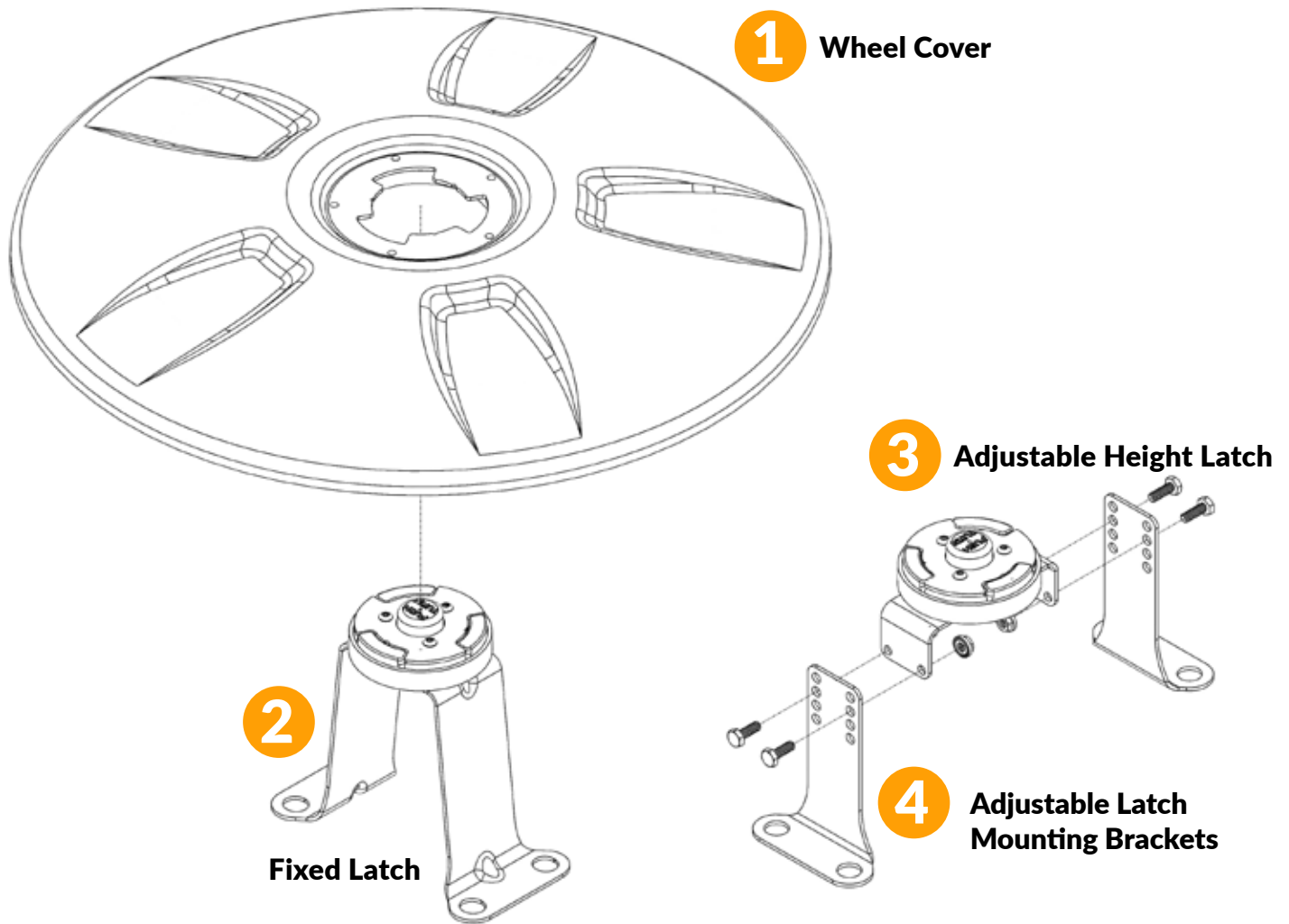
# TRACTOR AEROKIT & TRAILER AEROSLIDER WHEEL COVERS

FlowBelow's 'Quick-Release' aerodynamic wheel covers are constructed of steel and TPO, a highly durable automotive plastic. The wheel covers are attached to the wheel end via the patented 'quick-release' latch that allows the wheel cover to be easily removed and reattached.

These latches are available in either a fixed or adjustable configuration. The fixed version comes in a variety of sizes based on the most common truck specs. The adjustable version allows for the wheel cover latch height to be adjusted in small increments to achieve the correct fit.

Wheel covers are available for 22.5" and 24.5" rims on tractors and trailers. Specialty covers are also available for steer axle wheels and vehicles equipped with the Aperia Halo Tire Inflation System.

WHEEL COVER DIAGRAM





WCC-100-WHT



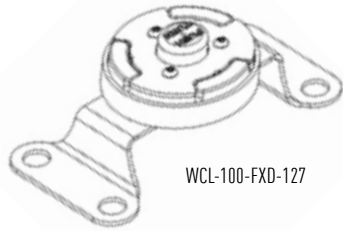
SWC-101-BLK-VSC

## Standard Wheel Covers

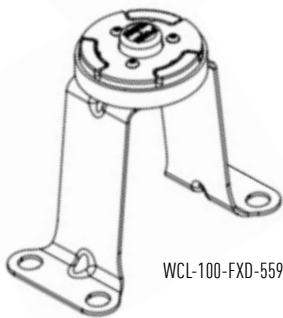
PART NUMBER	REF	DESCRIPTION	RIM	APPLICATION
WCC-100-BLK	1	Black	22.5"	Tractor & Trailer
WCC-100-GRY	1	Gray	22.5"	Tractor & Trailer
WCC-100-WHT	1	White	22.5"	Tractor & Trailer
WCC-100-CHM	1	Chrome	22.5"	Tractor & Trailer
WCC-100-BLU	1	Blue	22.5"	Tractor & Trailer

## Specialty Wheel Covers

PART NUMBER	REF	DESCRIPTION	RIM	APPLICATION
WCC-100-HSD-BLK	1	Domed Wheel Cover for use only with Halo TPMS system on widebase tires - Black	22.5"	Tractor & Trailer
WCC-100-S24-BLK	1	Black - 24.5" rim size.	24.5"	Tractor & Trailer
SWC-101-BLK-VSC	1	Steer Wheel Cover - Black	N/A	Tractor



WCL-100-FXD-127

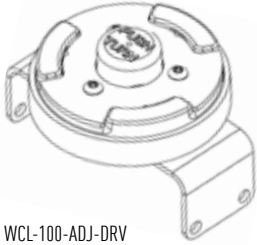


WCL-100-FXD-559

## Fixed Height Latches

PART NUMBER	REF	DESCRIPTION	HUB OFFSET	STUD SIZE	TIRETYPE	APPLICATION
WCL-100-FXD-050	2	Wheel Cover Latch Fixed - 0.50 inches tall	0.5"	5/8"	Super Single	Tractor
WCL-100-FXD-127	2	Wheel Cover Latch Fixed - 1.27 inches tall	1.27"	5/8"	Super Single	Tractor
WCL-100-FXD-177	2	Wheel Cover Latch Fixed - 1.77 inches tall	1.77"	5/8"	Super Single	Tractor
WCL-100-FXD-559	2	Wheel Cover Latch Fixed - 5.59 inches tall	5.59"	5/8"	Duals	Tractor
WCL-100-FXD-598	2	Wheel Cover Latch Fixed - 5.98 inches tall	5.98"	5/8"	Duals	Tractor
WCL-100-FXD-400	2	Wheel Cover Latch Fixed - 4 inches tall	4"	5/8"	Duals	Tractor
WCL-100-FXD-050-CHM	2	0.5" tall latch, used with CHROME wheel covers	0.5"	5/8"	Super Single	Tractor
WCL-100-FXD-127-CHM	2	1.27" tall latch, used with CHROME wheel covers	1.27"	5/8"	Super Single	Tractor
WCL-100-FXD-177-CHM	2	1.77" tall latch, used with CHROME wheel covers	1.77"	5/8"	Super Single	Tractor
WCL-100-FXD-559-CHM	2	5.59" tall latch, used with CHROME wheel covers	5.59"	5/8"	Duals	Tractor
WCL-100-FXD-598-CHM	2	5.98" tall latch, used with CHROME wheel covers	5.98"	5/8"	Duals	Tractor
WCL-100-FXD-400-CHM	2	4" tall latch, used with CHROME wheel covers	4"	5/8"	Duals	Tractor
WCL-100-ATI	2	Integrated latch - compatible with Halo TPMS	Aperia's Halo TPMS	5/8"	All	Tractor
WCL-100-ATI-CHM	2	Integrated latch - compatible with Halo TPMS and used with CHROME wheel covers	Aperia's Halo TPMS	5/8"	All	Tractor

## ADJUSTABLE LATCHES

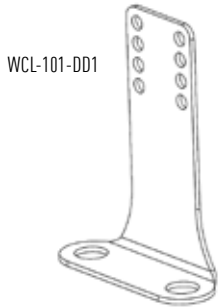


WCL-100-ADJ-DRV

### Adjustable Height Latches

PART NUMBER	REF	DESCRIPTION	HUB OFFSET	STUD SIZE	APPLICATION
WCL-100-ADJ-DRV	3	Adjustable-height Latch for Tractor	Adjustable Universal	Any	Tractor
WCL-100-ADJ-CHM	3	Adjustable-height Latch for Tractor (Chrome)			
WCL-100-ADJ-HDD	3	Adjustable-height Latch for Tractors with Halo TPMS	Adjustable Halo	Any	Tractor
WCL-100-ADJ-HDD-CHM	3	Adjustable-height Latch for Tractors with Halo TPMS, for use with CHROME wheel covers	Adjustable Halo	Any	Tractor
WCL-100-ADJ-TLD	3	Wheel Cover Latch Adjustable Trailer, Duals	Adjustable Universal	Any	Trailer
WCL-100-ADJ-TLS	3	Wheel Cover Latch Adjustable Trailer, Super Single	Adjustable Universal	Any	Trailer

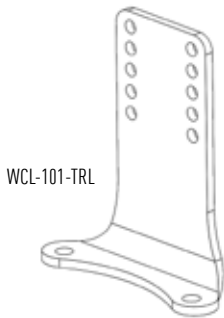
## ADJUSTABLE MOUNTING BRACKETS



WCL-101-DD1

### Adjustable Wheel Cover Latch Mounting Brackets - Tractor

PART NUMBER	REF	DESCRIPTION	TIRE TYPE	STUD SIZE	QUANTITY
WCL-101-DD1	4	Wheel Cover Mount Bracket, Adjustable, Duals, 5/8"	Duals	5/8"	2 per wheel
WCL-101-DD2	4	Wheel Cover Mount Bracket, Adjustable, Duals, 3/4"	Duals	3/4"	2 per wheel
WCL-101-SD1	4	Wheel Cover Mount Bracket, Adjustable, Super Single, 5/8"	Widebase	5/8"	2 per wheel
WCL-101-SD2	4	Wheel Cover Mount Bracket, Adjustable, Super Single, 3/4"	Widebase	3/4"	2 per wheel
WCL-101-HD1	4	Wheel Cover Mount Bracket, Halo, Adjustable, Duals	Duals	5/8"	2 per wheel
WCL-101-HS1	4	Wheel Cover Mount Bracket, Halo, Adjustable, Super Single	Widebase	5/8"	2 per wheel



WCL-101-TRL

### Adjustable Wheel Cover Latch Mounting Brackets - Trailer

PART NUMBER	REF	DESCRIPTION	TIRE TYPE	STUD SIZE	QUANTITY
WCL-101-TRL-550	4	Wheel Cover Mount Bracket, Trailer, Adjustable, 5.50" Hub Diameter	Duals	5.5"	2 per wheel
WCL-101-TRL-675	4	Wheel Cover Mount Bracket, Trailer, Adjustable, 6.75" Hub Diameter	Duals	6.75"	2 per wheel
WCL-101-STL-550	4	Wheel Cover Mount Bracket, Short Trailer, Adjustable, Super Single, Zero Offset, 5.50" Hub Diameter	Widebase	5.5"	2 per wheel
WCL-101-STL-675	4	Wheel Cover Mount Bracket, Short Trailer, Adjustable, Super Single, Zero Offset, 6.75" Hub Diameter	Widebase	6.75"	2 per wheel

## HARDWARE

### Wheel Cover Hardware Kits

PART NUMBER	DESCRIPTION	LATCH TYPE	STUD SIZE	APPLICATION
WCL-820-58-ALT	Wheel Cover Latch, Fasteners -5/8"- connects the latch/bracket to the hub (Tractor). Enough to install 4 wheels	Adjustable or Fixed	5/8"	Tractor & Trailer
WCL-830-000-A	Wheel Cover Latch, Fasteners -3/4"- connects the latch/bracket to the hub (Tractor). Enough to install 4 wheels.	Adjustable or Fixed	3/4"	Tractor & Trailer
WCL-810-DRV	WCL Adjustment Fasteners for Tractors - 1/4 " Hardware Kit - connects latch to bracket. Enough to install 4 wheels.	Adjustable	Any	Tractor
WCL-810-TRL	WCL Adjustment Fasteners for Trailers - 1/4 " Hardware Kit - connects latch to bracket. Enough to install 4 wheels.	Adjustable	Any	Trailer
TRL-810-000	Wheel Cover Latch, Fasteners - connects the latch/bracket to the hub (Trailer). Enough to install 4 wheels.	Adjustable	Any	Trailer
HWK-SWC	Steer Wheel Cover Hardware - Enough to install 2 steer wheels.	Fixed	Any	Tractor

## Tractor Dual Axle Wheel Cover Kits (4 Covers, Latches, and Hardware)

PART NUMBER	DESCRIPTION	HUB OFFSET							WHEEL HUB STUD SIZE		WHEEL COVER COLOR			
		Adjustable for Duals	Adjustable for Widebase	Fixed 0.50"	Fixed 1.27"	Fixed 1.77"	Fixed 4.00"	Fixed 5.59"	Fixed 5.98"	5/8"	3/4"	Black	Granite Gray	White
WCC-KIT-BLK-050	WCC Kit-Black Fixed 0.50"			✓					✓		✓			
WCC-KIT-BLK-127	WCC Kit-Black Fixed 1.27"				✓				✓		✓			
WCC-KIT-BLK-177	WCC Kit-Black Fixed 1.77"					✓			✓		✓			
WCC-KIT-BLK-400	WCC Kit-Black Fixed 4.00"						✓		✓		✓			
WCC-KIT-BLK-559	WCC Kit-Black Fixed 5.59"							✓	✓		✓			
WCC-KIT-BLK-598	WCC Kit-Black Fixed 5.98"							✓	✓		✓			
WCC-KIT-BLK-DD1	WCC Kit-Black Adjustable Dual 5/8"	✓							✓		✓			
WCC-KIT-BLK-DD2	WCC Kit-Black Adjustable Dual 3/4"	✓								✓	✓			
WCC-KIT-BLK-SD1	WCC Kit-Black Adjustable Single 5/8"		✓						✓		✓			
WCC-KIT-BLK-SD2	WCC Kit-Black Adjustable Single 3/4"		✓							✓	✓			
WCC-KIT-GRY-050	WCC Kit-Gray Fixed 0.50"			✓					✓			✓		
WCC-KIT-GRY-127	WCC Kit-Gray Fixed 1.27"				✓				✓			✓		
WCC-KIT-GRY-177	WCC Kit-Gray Fixed 1.77"					✓			✓			✓		
WCC-KIT-GRY-400	WCC Kit-Gray Fixed 4.00"						✓		✓			✓		
WCC-KIT-GRY-559	WCC Kit-Gray Fixed 5.59"							✓	✓			✓		
WCC-KIT-GRY-598	WCC Kit-Gray Fixed 5.98"							✓	✓			✓		
WCC-KIT-GRY-DD1	WCC Kit-Gray Adjustable Dual 5/8"	✓							✓			✓		
WCC-KIT-GRY-DD2	WCC Kit-Gray Adjustable Dual 3/4"	✓								✓		✓		
WCC-KIT-GRY-SD1	WCC Kit-Gray Adjustable Single 5/8"		✓						✓			✓		
WCC-KIT-GRY-SD2	WCC Kit-Gray Adjustable Single 3/4"		✓							✓		✓		
WCC-KIT-WHT-050	WCC Kit-White Fixed 0.50"			✓					✓				✓	
WCC-KIT-WHT-127	WCC Kit-White Fixed 1.27"				✓				✓				✓	
WCC-KIT-WHT-177	WCC Kit-White Fixed 1.77"					✓			✓				✓	
WCC-KIT-WHT-400	WCC Kit-White Fixed 4.00"						✓		✓				✓	
WCC-KIT-WHT-559	WCC Kit-White Fixed 5.59"							✓	✓				✓	
WCC-KIT-WHT-598	WCC Kit-White Fixed 5.98"							✓	✓				✓	
WCC-KIT-WHT-DD1	WCC Kit-White Adjustable Dual 5/8"	✓							✓				✓	
WCC-KIT-WHT-DD2	WCC Kit-White Adjustable Dual 3/4"	✓								✓			✓	
WCC-KIT-WHT-SD1	WCC Kit-White Adjustable Single 5/8"		✓						✓				✓	
WCC-KIT-WHT-SD2	WCC Kit-White Adjustable Single 3/4"		✓							✓			✓	
WCC-KIT-CHM-050	WCC Kit-Chrome Fixed 0.50"			✓					✓					✓
WCC-KIT-CHM-127	WCC Kit-Chrome Fixed 1.27"				✓				✓					✓
WCC-KIT-CHM-177	WCC Kit-Chrome Fixed 1.77"					✓			✓					✓
WCC-KIT-CHM-400	WCC Kit-Chrome Fixed 4.00"						✓		✓					✓
WCC-KIT-CHM-559	WCC Kit-Chrome Fixed 5.59"							✓	✓					✓
WCC-KIT-CHM-598	WCC Kit-Chrome Fixed 5.98"							✓	✓					✓

## Tractor Dual Axle Wheel Cover Kits (4 Covers, Latches, and Hardware)

Continued

PART NUMBER	DESCRIPTION	HUB OFFSET	HUB OFFSET							WHEEL HUB STUD SIZE		WHEEL COVER COLOR			
			Adjustable for Duals	Adjustable for Widebase	Fixed 0.50"	Fixed 1.27"	Fixed 1.77"	Fixed 4.00"	Fixed 5.59"	Fixed 5.98"	5/8"	3/4"	Black	Granite Gray	White
WCC-KIT-CHM-DD1	WCC Kit-Chrome Adjustable Dual 5/8"		✓							✓					✓
WCC-KIT-CHM-DD2	WCC Kit-Chrome Adjustable Dual 3/4"		✓								✓				✓
WCC-KIT-CHM-SD1	WCC Kit-Chrome Adjustable Single 5/8"			✓						✓					✓
WCC-KIT-CHM-SD2	WCC Kit-Chrome Adjustable Single 3/4"			✓							✓				✓
ATI-WCC-KIT-BLK	WCC Kit-Black, Halo Compatible Integrated Latch, Duals		✓									✓			
ATI-WCC-KIT-GRY	WCC Kit-Gray, Halo Compatible Integrated Latch, Duals		✓										✓		
ATI-WCC-KIT-WHT	WCC Kit-White, Halo Compatible Integrated Latch, Duals		✓											✓	
ATI-WCC-KIT-CHM	WCC Kit-Chrome, Halo Compatible Integrated Latch, Duals		✓												✓
ATI-WCC-KIT-DWC-BLK	WCC Kit-Black, Halo Compatible Integrated Latch, Widebase			✓								✓			
ATI-WCC-HDD-BLK	WCC Kit-Black, Halo Adjustable Latch, Duals		✓							✓		✓			
ATI-WCC-HDD-GRY	WCC Kit-Gray, Halo Adjustable Latch, Duals		✓							✓			✓		
ATI-WCC-HDD-WHT	WCC Kit-White, Halo Adjustable Latch, Duals		✓							✓				✓	
ATI-WCC-HDD-CHM	WCC Kit-Chrome, Halo Adjustable Latch, Duals		✓							✓					✓
ATI-WCC-HSD-DWC-BLK	WCC Kit-Black, Halo Adjustable Latch, Widebase W/0" offset			✓						✓		✓			
ATI-WCC-HSD-BLK	WCC Kit-Black, Halo Adjustable Latch, Widebase W/2" offset			✓						✓		✓			

## Tractor Single Axle Wheel Cover Kits (2 Covers, Latches, and Hardware)

PART NUMBER	DESCRIPTION	HUB OFFSET	HUB OFFSET							WHEEL HUB STUD SIZE		WHEEL COVER COLOR			
			Adjustable for Duals	Adjustable for Widebase	Fixed 0.50"	Fixed 1.27"	Fixed 1.77"	Fixed 4.00"	Fixed 5.59"	Fixed 5.98"	5/8"	3/4"	Black	Granite Gray	White
WCC-SAK-BLK-050	WCC SINGLE AXLE KIT, BLACK FIXED .050"				✓					✓		✓			
WCC-SAK-BLK-127	WCC SINGLE AXLE KIT, BLACK FIXED 1.27"					✓				✓		✓			
WCC-SAK-BLK-177	WCC SINGLE AXLE KIT, BLACK FIXED 1.77"						✓			✓		✓			
WCC-SAK-BLK-400	WCC SINGLE AXLE KIT, BLACK FIXED 4.00"							✓		✓		✓			
WCC-SAK-BLK-559	WCC SINGLE AXLE KIT, BLACK FIXED 5.59"								✓	✓		✓			
WCC-SAK-BLK-598	WCC SINGLE AXLE KIT, BLACK FIXED 5.98"									✓		✓			
WCC-SAK-BLK-DD1	WCC SINGLE AXLE KIT, BLACK ADJUSTABLE DUAL 5/8"		✓							✓		✓			
WCC-SAK-BLK-DD2	WCC SINGLE AXLE KIT, BLACK ADJUSTABLE DUAL 3/4"		✓								✓	✓			
WCC-SAK-BLK-SD1	WCC SINGLE AXLE KIT, BLACK ADJUSTABLE SINGLE 5/8"			✓						✓		✓			
WCC-SAK-BLK-SD2	WCC SINGLE AXLE KIT, BLACK ADJUSTABLE SINGLE 3/4"			✓							✓	✓			
WCC-SAK-GRY-050	WCC SINGLE AXLE KIT, GREY FIXED .050"				✓					✓			✓		
WCC-SAK-GRY-127	WCC SINGLE AXLE KIT, GREY FIXED 1.27"					✓				✓			✓		
WCC-SAK-GRY-177	WCC SINGLE AXLE KIT, GREY FIXED 1.77"						✓			✓			✓		
WCC-SAK-GRY-400	WCC SINGLE AXLE KIT, GREY FIXED 4.00"							✓		✓			✓		
WCC-SAK-GRY-559	WCC SINGLE AXLE KIT, GREY FIXED 5.59"								✓	✓			✓		
WCC-SAK-GRY-598	WCC SINGLE AXLE KIT, GREY FIXED 5.98"									✓			✓		
WCC-SAK-GRY-DD1	WCC SINGLE AXLE KIT, GREY ADJUSTABLE DUAL 5/8"		✓							✓		✓			

## Tractor Single Axle Wheel Cover Kits (2 Covers, Latches, and Hardware)

Continued

PART NUMBER	DESCRIPTION	HUB OFFSET							WHEEL HUB STUD SIZE		WHEEL COVER COLOR				
		Adjustable for Duals	Adjustable for Widebase	Fixed 0.50"	Fixed 1.27"	Fixed 1.77"	Fixed 4.00"	Fixed 5.59"	Fixed 5.98"	5/8"	3/4"	Black	Granite Gray	White	Chrome
WCC-SAK-GRY-DD2	WCC SINGLE AXLE KIT, GREY ADJUSTABLE DUAL 3/4"	✓								✓			✓		
WCC-SAK-GRY-SD1	WCC SINGLE AXLE KIT, GREY ADJUSTABLE SINGLE 5/8"		✓						✓			✓			
WCC-SAK-GRY-SD2	WCC SINGLE AXLE KIT, GREY ADJUSTABLE SINGLE 3/4"		✓							✓		✓			
WCC-SAK-WHT-050	WCC SINGLE AXLE KIT, WHITE FIXED .050"			✓					✓				✓		
WCC-SAK-WHT-127	WCC SINGLE AXLE KIT, WHITE FIXED 1.27"				✓				✓				✓		
WCC-SAK-WHT-177	WCC SINGLE AXLE KIT, WHITE FIXED 1.77"					✓			✓				✓		
WCC-SAK-WHT-400	WCC SINGLE AXLE KIT, WHITE FIXED 4.00"						✓		✓				✓		
WCC-SAK-WHT-559	WCC SINGLE AXLE KIT, WHITE FIXED 5.59"							✓	✓				✓		
WCC-SAK-WHT-598	WCC SINGLE AXLE KIT, WHITE FIXED 5.98"							✓	✓				✓		
WCC-SAK-WHT-DD1	WCC SINGLE AXLE KIT, WHITE ADJUSTABLE DUAL 5/8"	✓							✓				✓		
WCC-SAK-WHT-DD2	WCC SINGLE AXLE KIT, WHITE ADJUSTABLE DUAL 3/4"	✓								✓			✓		
WCC-SAK-WHT-SD1	WCC SINGLE AXLE KIT, WHITE ADJUSTABLE SINGLE 5/8"		✓						✓				✓		
WCC-SAK-WHT-SD2	WCC SINGLE AXLE KIT, WHITE ADJUSTABLE SINGLE 3/4"		✓							✓			✓		
WCC-SAK-CHM-050	WCC SINGLE AXLE KIT, CHROME FIXED .050"			✓					✓						✓
WCC-SAK-CHM-127	WCC SINGLE AXLE KIT, CHROME FIXED 1.27"				✓				✓						✓
WCC-SAK-CHM-177	WCC SINGLE AXLE KIT, CHROME FIXED 1.77"					✓			✓						✓
WCC-SAK-CHM-400	WCC SINGLE AXLE KIT, CHROME FIXED 4.00"						✓		✓						✓
WCC-SAK-CHM-559	WCC SINGLE AXLE KIT, CHROME FIXED 5.59"							✓	✓						✓
WCC-SAK-CHM-598	WCC SINGLE AXLE KIT, CHROME FIXED 5.98"							✓	✓						✓
WCC-SAK-CHM-DD1	WCC SINGLE AXLE KIT, CHROME ADJUSTABLE DUAL 5/8"	✓							✓						✓
WCC-SAK-CHM-DD2	WCC SINGLE AXLE KIT, CHROME ADJUSTABLE DUAL 3/4"	✓								✓					✓
WCC-SAK-CHM-SD1	WCC SINGLE AXLE KIT, CHROME ADJUSTABLE SINGLE 5/8"		✓						✓						✓
WCC-SAK-CHM-SD2	WCC SINGLE AXLE KIT, CHROME ADJUSTABLE SINGLE 3/4"		✓							✓					✓

## Trailer Dual Axle Wheel Cover Kits (4 Covers, Latches, and Hardware)

PART NUMBER	DESCRIPTION	NUMBER OF AXLES		HUB DIAMETER		WHEEL COVER COLOR			
		Single	Dual	5.5"	6.75"	Black	Granite Gray	White	Chrome
WCT-KIT-BLK-550-DAD	WCT-KIT-DUAL BLACK 5.50"		✓	✓		✓			
WCT-KIT-BLK-675-DAD	WCT-KIT-DUAL BLACK 6.75"		✓		✓	✓			
WCT-KIT-BLK-550-SAD	WCT-KIT-SINGLE BLACK 5.50", ZERO OFFSET		✓	✓		✓			
WCT-KIT-BLK-675-SAD	WCT-KIT-SINGLE BLACK 6.75", ZERO OFFSET		✓		✓	✓			
WCT-KIT-BLK-550-SA2	WCT-KIT-SINGLE BLACK 5.50", 2IN OFFSET		✓	✓		✓			
WCT-KIT-BLK-675-SA2	WCT-KIT-SINGLE BLACK 6.75", 2IN OFFSET		✓		✓	✓			
WCT-KIT-GRY-550-DAD	WCT-KIT-DUAL GRAY 5.50"		✓	✓			✓		
WCT-KIT-GRY-675-DAD	WCT-KIT-DUAL GRAY 6.75"		✓		✓		✓		
WCT-KIT-GRY-550-SAD	WCT-KIT-SINGLE GRAY 5.50", ZERO OFFSET		✓	✓			✓		
WCT-KIT-GRY-675-SAD	WCT-KIT-SINGLE GRAY 6.75", ZERO OFFSET		✓		✓		✓		
WCT-KIT-GRY-550-SA2	WCT-KIT-SINGLE GRAY 5.50", 2IN OFFSET		✓	✓			✓		
WCT-KIT-GRY-675-SA2	WCT-KIT-SINGLE GRAY 6.75", 2IN OFFSET		✓		✓		✓		
WCT-KIT-WHT-550-DAD	WCT-KIT-DUAL WHITE 5.50"		✓	✓				✓	
WCT-KIT-WHT-675-DAD	WCT-KIT-DUAL WHITE 6.75"		✓		✓			✓	
WCT-KIT-WHT-550-SAD	WCT-KIT-SINGLE WHITE 5.50", ZERO OFFSET		✓	✓				✓	
WCT-KIT-WHT-675-SAD	WCT-KIT-SINGLE WHITE 6.75", ZERO OFFSET		✓		✓			✓	
WCT-KIT-WHT-550-SA2	WCT-KIT-SINGLE WHITE 5.50", 2IN OFFSET		✓	✓				✓	
WCT-KIT-WHT-675-SA2	WCT-KIT-SINGLE WHITE 6.75", 2IN OFFSET		✓		✓			✓	
WCT-KIT-CHM-550-DAD	WCT-KIT-DUAL CHROME 5.50"		✓	✓					✓
WCT-KIT-CHM-675-DAD	WCT-KIT-DUAL CHROME 6.75"		✓		✓				✓
WCT-KIT-CHM-550-SAD	WCT-KIT-SINGLE CHROME 5.50", ZERO OFFSET		✓	✓					✓
WCT-KIT-CHM-675-SAD	WCT-KIT-SINGLE CHROME 6.75", ZERO OFFSET		✓		✓				✓
WCT-KIT-CHM-550-SA2	WCT-KIT-SINGLE CHROME 5.50", 2IN OFFSET		✓	✓					✓
WCT-KIT-CHM-675-SA2	WCT-KIT-SINGLE CHROME 6.75", 2IN OFFSET		✓		✓				✓



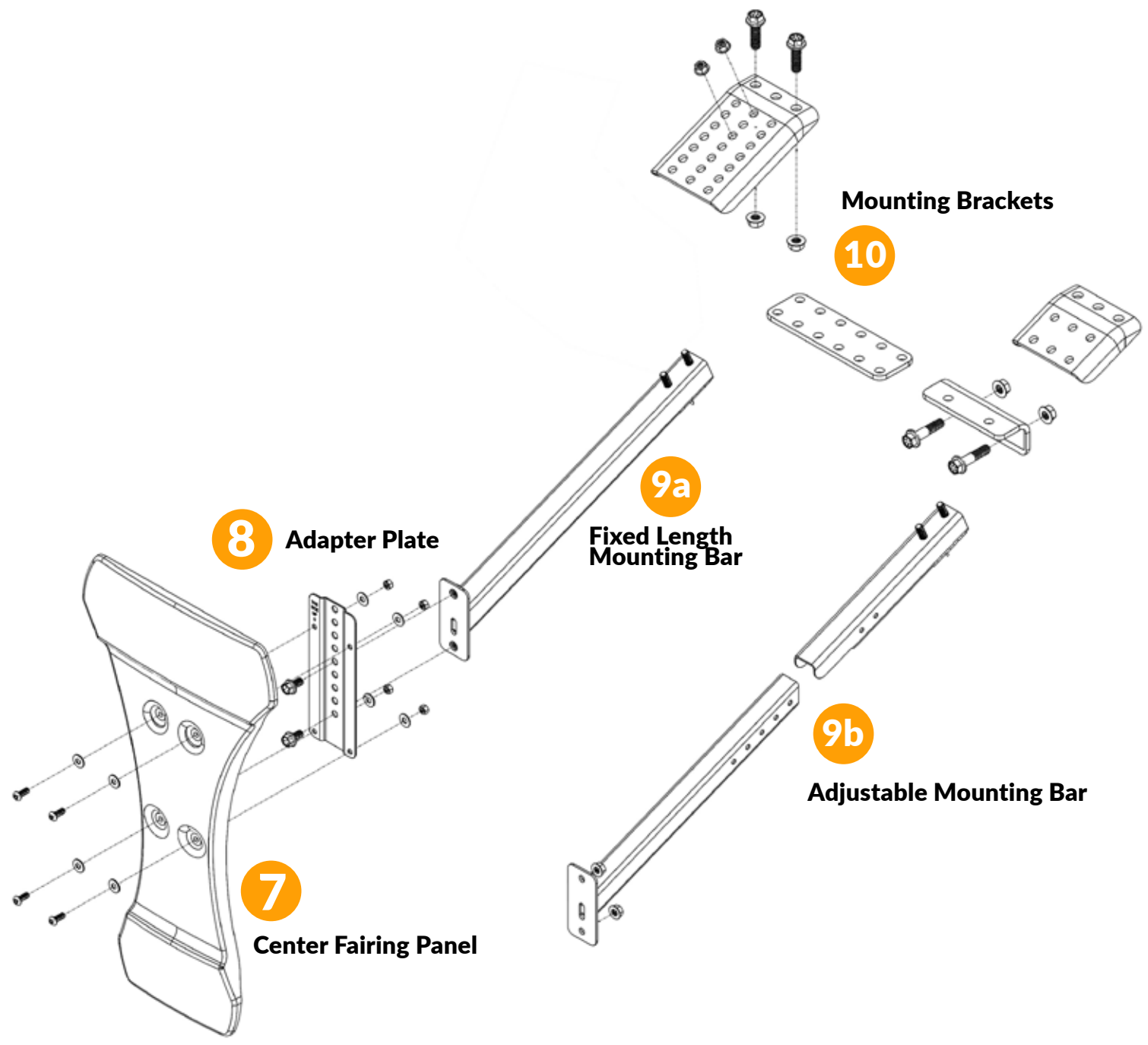
## Trailer Single Axle Wheel Cover Kits (2 Covers, Latches, and Hardware)

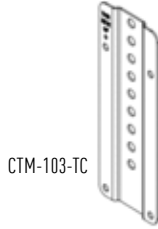
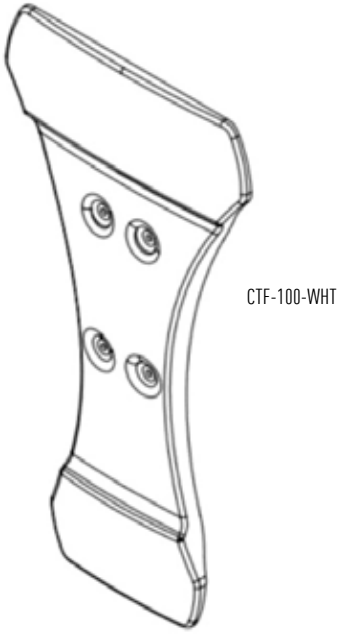
PART NUMBER	DESCRIPTION	NUMBER OF AXLES		HUB DIAMETER		WHEEL COVER COLOR			
		Single	Dual	5.5"	6.75"	Black	Granite Gray	White	Chrome
WCT-SAK-BLK-550-DAD	WCT SINGLE AXLE KIT-DUAL BLACK 5.50"	✓		✓		✓			
WCT-SAK-BLK-675-DAD	WCT SINGLE AXLE KIT-DUAL BLACK 6.75"	✓			✓	✓			
WCT-SAK-BLK-550-SAD	WCT SINGLE AXLE KIT-SINGLE BLACK 5.50", ZERO OFFSET	✓		✓		✓			
WCT-SAK-BLK-675-SAD	WCT SINGLE AXLE KIT-SINGLE BLACK 6.75", ZERO OFFSET	✓			✓	✓			
WCT-SAK-BLK-550-SA2	WCT SINGLE AXLE KIT-SINGLE BLACK 5.50", 2IN OFFSET	✓		✓		✓			
WCT-SAK-BLK-675-SA2	WCT SINGLE AXLE KIT-SINGLE BLACK 6.75", 2IN OFFSET	✓			✓	✓			
WCT-SAK-GRY-550-DAD	WCT SINGLE AXLE KIT-DUAL GRAY 5.50"	✓		✓			✓		
WCT-SAK-GRY-675-DAD	WCT SINGLE AXLE KIT-DUAL GRAY 6.75"	✓			✓		✓		
WCT-SAK-GRY-550-SAD	WCT SINGLE AXLE KIT-SINGLE GRAY 5.50", ZERO OFFSET	✓		✓			✓		
WCT-SAK-GRY-675-SAD	WCT SINGLE AXLE KIT-SINGLE GRAY 6.75", ZERO OFFSET	✓			✓		✓		
WCT-SAK-GRY-550-SA2	WCT SINGLE AXLE KIT- SINGLE GRAY 5.50", 2IN OFFSET	✓		✓			✓		
WCT-SAK-GRY-675-SA2	WCT SINGLE AXLE KIT-SINGLE GRAY 6.75", 2IN OFFSET	✓			✓		✓		
WCT-SAK-WHT-550-DAD	WCT SINGLE AXLE KIT-DUAL WHITE 5.50"	✓		✓				✓	
WCT-SAK-WHT-675-DAD	WCT SINGLE AXLE KIT-DUAL WHITE 6.75"	✓			✓			✓	
WCT-SAK-WHT-550-SAD	WCT SINGLE AXLE KIT-SINGLE WHITE 5.50", ZERO OFFSET	✓		✓				✓	
WCT-SAK-WHT-675-SAD	WCT SINGLE AXLE KIT-SINGLE WHITE 6.75", ZERO OFFSET	✓			✓			✓	
WCT-SAK-WHT-550-SA2	WCT SINGLE AXLE KIT-SINGLE WHITE 5.50", 2IN OFFSET	✓		✓				✓	
WCT-SAK-WHT-675-SA2	WCT SINGLE AXLE KIT-SINGLE WHITE 6.75", 2IN OFFSET	✓			✓			✓	
WCT-SAK-CHM-550-DAD	WCT SINGLE AXLE KIT-DUAL CHROME 5.50"	✓		✓					✓
WCT-SAK-CHM-675-DAD	WCT SINGLE AXLE KIT-DUAL CHROME 6.75"	✓			✓				✓
WCT-SAK-CHM-550-SAD	WCT SINGLE AXLE KIT-SINGLE CHROME 5.50", ZERO OFFSET	✓		✓					✓
WCT-SAK-CHM-675-SAD	WCT SINGLE AXLE KIT- SINGLE CHROME 6.75", ZERO OFFSET	✓			✓				✓
WCT-SAK-CHM-550-SA2	WCT SINGLE AXLE KIT-SINGLE CHROME 5.50", 2IN OFFSET	✓		✓					✓
WCT-SAK-CHM-675-SA2	WCT SINGLE AXLE KIT-SINGLE CHROME 6.75", 2IN OFFSET	✓			✓				✓

# TRACTOR AEROKIT CENTER FAIRING

The center fairing is anchored to the fifth wheel rail between the two rear tires on the tractor. It helps reduce air turbulence across the face of the wheels to increase fuel efficiency.

CENTER FAIRING DIAGRAM



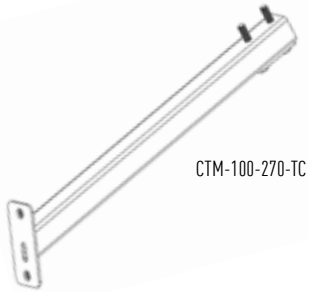


### Center Fairing Panels

PART NUMBER	REF	DESCRIPTION
CTF-100-BLK	7	Black Center Fairing Panel
CTF-100-GRY	7	Gray Center Fairing Panel
CTF-100-WHT	7	White Center Fairing Panel
CTF-100-BLU	7	JNJ Blue Center Fairing Panel
CTF-100-MVT	7	MVT Blue Center Fairing Panel
CTF-100-GRL	7	Glossy Red Center Fairing Panel

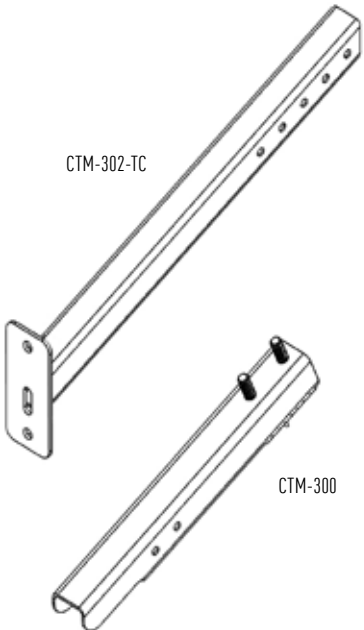
### Center Fairing Adapter Plates

PART NUMBER	REF	DESCRIPTION
CTM-103-TC	8	Center Tandem Fairing Adapter Plate - Attaches the Center Fairing to the Center Bar



### Fixed Length Center Bars

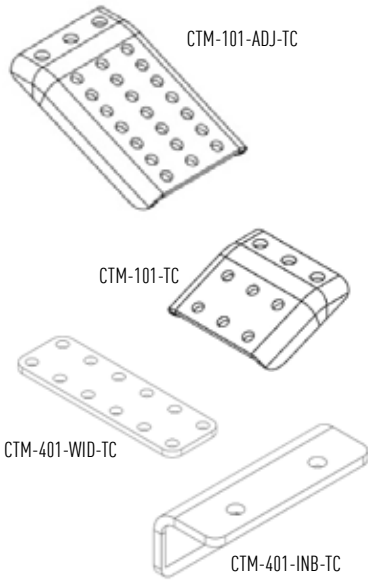
PART NUMBER	REF	DESCRIPTION	BARTYPE	LENGTH
CTM-100-255-TC	9a	Center Fairing Mounting Bar	Fixed Length	25.5"
CTM-100-270-TC	9a	Center Fairing Mounting Bar	Fixed Length	27"
CTM-100-285-TC	9a	Center Fairing Mounting Bar	Fixed Length	28.5"
CTM-100-300-TC	9a	Center Fairing Mounting Bar	Fixed Length	30"
CTM-100-315-TC	9a	Center Fairing Mounting Bar	Fixed Length	31.5"



### Adjustable Length Center Bars

PART NUMBER	REF	DESCRIPTION	BARTYPE	LENGTH
CTM-302-TC	9b	Telescoping CTM Bar, Adjustable (fairing side). Used with CTM-300	Telescoping/Slider	Adjustable
CTM-300	9b	Telescoping CTM Mount - secured to the CTM-302-TC bar with nuts and bolts from hardware HWK 010	Telescoping/Slider	Adjustable
CTM-300-TET	9b	Telescoping CTM Mount (with removable tethered cotter pins) - secured to the CTM-302-TC bar with nuts and bolts from hardware HWK 010	Telescoping/Slider	Adjustable

## MOUNTING BRACKETS



### Center Fairing Mounting Brackets

PART NUMBER	REF	DESCRIPTION	NOTES
CTM-101-ADJ-TC	10	CTM Mounting Bracket- Adjustable - Attaches the Center Bar to the truck frame	For use with a 27" center bar, when the necessary bar length is unknown. Multiple mounting holes allow the bar to extend as far as 31.5" or as short as 27".
CTM-101-TC	10	CTF Mount Bracket- Fixed	For use with a fixed length Center Bar when the necessary bar-length is known.
CTM-401-INB-TC	10	CTM Inboard Adapter	Required for trucks that have inboard mounted 5th wheels.
CTM-401-WID-TC	10	CTF Wide Adapter Bracket	Used in conjunction with a standard mounting bracket (CTM-101-TC) when the 5th wheel is mounted with an un-evenly spaced bolt hole pattern.
CTM-ADK-INB	10	Center Tandem Mount Adapter Kit- Inboard Adapter Set W/ Hardware	Includes the CTM-401-INB-TC Inboard Adapter and HWK-003-225 Hardware Kit to allow for installation of the Center Bar on a truck with an inboard mounted 5th wheel.
CTM-ADK-WID	10	Center Tandem Mount Adapter Kit- Wide Adapter Set with Hardware	Includes the CTM-401-WID-TC Wide Adapter Bracket and HWK-003-225 Hardware Kit to allow for installation of the Center Bar on a truck who's 5th wheel has an unevenly spaced bolt pattern.

## HARDWARE

### Mounting Hardware

PART NUMBER	DESCRIPTION	NOTES
HWK-001	Hardware Kit - 3/8 Inch Fasteners	Attaches the Center Fairing to the Adapter Plate. Enough hardware to install 2 center fairings.
HWK-002	Hardware Kit - 1/2 Inch Fasteners	Attaches the Adapter Plate to the Center Bar and the Center Bar to the Mounting Bracket. Enough to install 2 center fairings. (One full truck)
HWK-003-225	Hardware Kit - 5/8x2-1/4 Inch Fasteners	Connects the Mounting Bracket to the truck frame. Enough to install 2 center fairings. Screws are 2.25" long. Connects the outboard mounting bracket to the wide or inboard adapter - enough for two bars.
HWK-003-275	Hardware Kit - 5/8x2-3/4 Inch Fasteners	Connects the Mounting Bracket to the truck frame. Enough to install 2 center fairings. Screws are 2.75" long.
HWK-003-325	Hardware Kit - 5/8x3-1/4 Inch Fasteners	Connects the Mounting Bracket to the truck frame. Enough to install 2 center fairings. Screws are 3.25" long.
HWK-010	Hardware Kit - Telescoping Bars	Connects the adjustable slider bar to the mounting bar. Enough to install 2 center adjustable bars. The bolts are 3/8" and 2.5" long.

## Center Fairing Mounting Kits

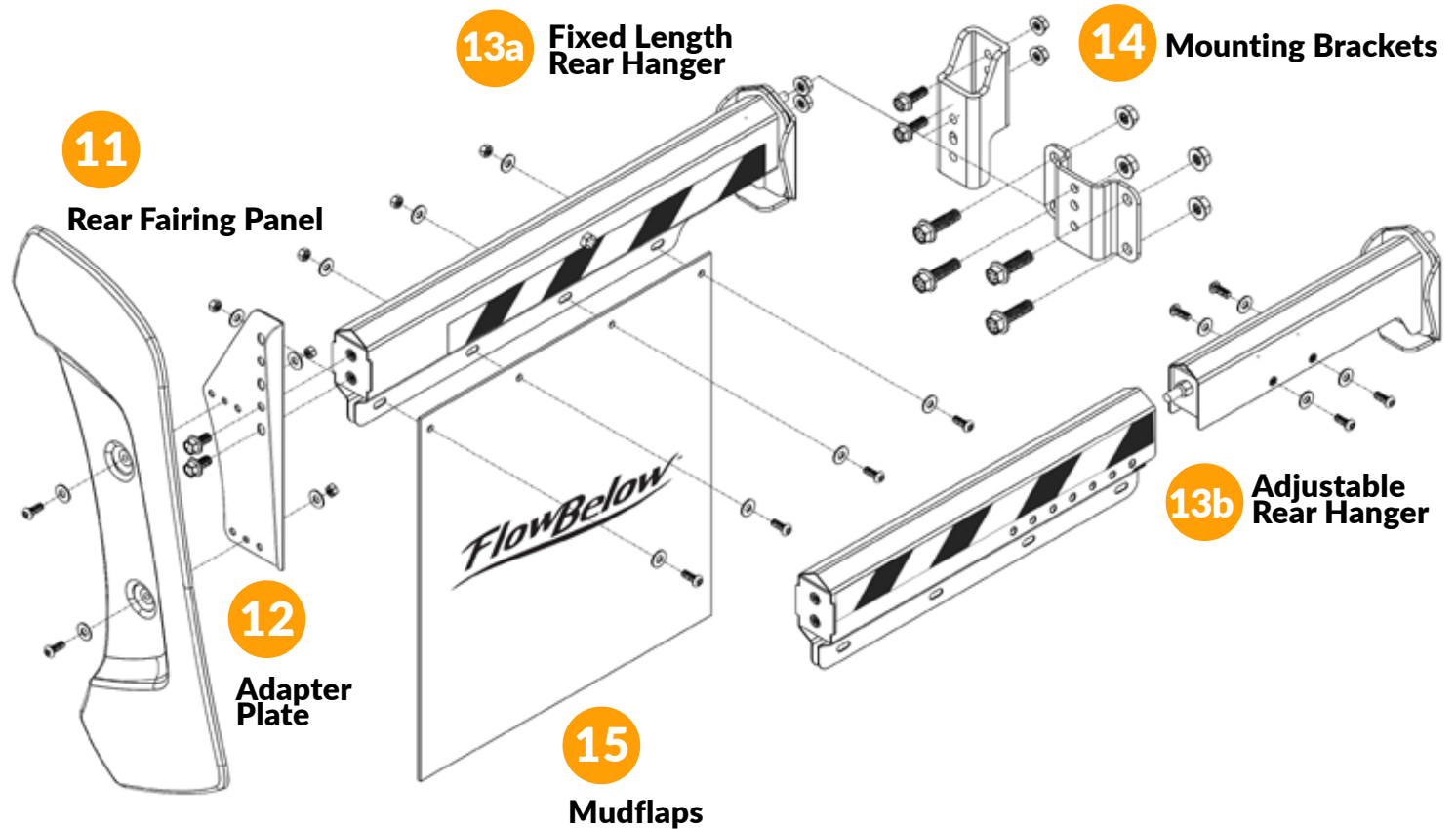
Each FlowBelow Center Mounting Kit contains the brackets and hardware required to install 2 center fairings. The kits DO NOT include the Center Fairing. Those must be purchased separately.

Part Number	DESCRIPTION	FRAME MOUNTING					FRAME-TO-SIDE WALL					
		Outboard - Short	Outboard - Long	Outboard-Standard	Inboard	Wide	Adjustable	25.5"	27"	28.5"	30"	31.5"
CTM-KIT-OB1-ADJ	CTM Kit Adjustable Outboard Short	✓					✓					
CTM-KIT-OB2-ADJ	CTM Kit Adjustable Outboard Long		✓				✓					
CTM-KIT-OUT-ADJ	CTM Kit Adjustable Outboard Standard			✓			✓					
CTM-KIT-INB-ADJ	CTM Kit Adjustable Inboard				✓		✓					
CTM-KIT-WID-ADJ	CTM Kit Adjustable Wide					✓	✓					
CTM-KIT-OUT-255	CTM Kit Fixed 25.5" Outboard Standard			✓				✓				
CTM-KIT-OUT-270	CTM Kit Fixed 27.0" Outboard Standard			✓					✓			
CTM-KIT-OUT-285	CTM Kit Fixed 28.5" Outboard Standard			✓						✓		
CTM-KIT-OUT-300	CTM Kit Fixed 30.0" Outboard Standard			✓							✓	
CTM-KIT-OUT-315	CTM Kit Fixed 31.5" Outboard Standard			✓								✓
CTM-KIT-OUT-TEL	CTM Kit Fixed Telescoping Outboard Standard			✓			✓					
CTM-KIT-OUT-TEL-TET	CTM Kit Fixed Telescoping Outboard Standard, Tethered Pin			✓			✓					
CTM-KIT-OB1-255	CTM Kit Fixed 25.5" Outboard Short	✓						✓				
CTM-KIT-OB1-270	CTM Kit Fixed 27.0" Outboard Short	✓							✓			
CTM-KIT-OB1-285	CTM Kit Fixed 28.5" Outboard Short	✓								✓		
CTM-KIT-OB1-300	CTM Kit Fixed 30.0" Outboard Short	✓									✓	
CTM-KIT-OB1-315	CTM Kit Fixed 31.5" Outboard Short	✓										✓
CTM-KIT-OB1-TEL	CTM Kit Fixed Telescoping Outboard Short	✓					✓					
CTM-KIT-OB1-TEL-TET	CTM Kit Fixed Telescoping Outboard Short, Tethered Pin	✓					✓					
CTM-KIT-OB2-255	CTM Kit Fixed 25.5" Outboard Long		✓					✓				
CTM-KIT-OB2-270	CTM Kit Fixed 27.0" Outboard Long		✓						✓			
CTM-KIT-OB2-285	CTM Kit Fixed 28.5" Outboard Long		✓							✓		
CTM-KIT-OB2-300	CTM Kit Fixed 30.0" Outboard Long		✓								✓	
CTM-KIT-OB2-315	CTM Kit Fixed 31.5" Outboard Long		✓									✓
CTM-KIT-OB2-TEL	CTM Kit Fixed Telescoping Outboard Long		✓				✓					
CTM-KIT-OB2-TEL-TET	CTM Kit Fixed Telescoping Outboard Long, Tethered Pin		✓				✓					
CTM-KIT-INB-255	CTM Kit Fixed 25.5" Inboard				✓			✓				
CTM-KIT-INB-270	CTM Kit Fixed 27.0" Inboard				✓				✓			
CTM-KIT-INB-285	CTM Kit Fixed 28.5" Inboard				✓					✓		
CTM-KIT-INB-300	CTM Kit Fixed 30.0" Inboard				✓						✓	
CTM-KIT-INB-315	CTM Kit Fixed 31.5" Inboard				✓							✓
CTM-KIT-INB-TEL	CTM Kit Fixed Telescoping Inboard				✓		✓					
CTM-KIT-INB-TEL-TET	CTM Kit Fixed Telescoping, Inboard Tethered Pin				✓		✓					
CTM-KIT-WID-270	CTM Kit Fixed 27.0" Wide					✓			✓			
CTM-KIT-WID-285	CTM Kit Fixed 28.5" Wide					✓				✓		
CTM-KIT-WID-300	CTM Kit Fixed 30.0" Wide					✓					✓	
CTM-KIT-WID-315	CTM Kit Fixed 31.5" Wide					✓						✓
CTM-KIT-WID-TEL	CTM Kit Fixed Telescoping Wide					✓	✓					
CTM-KIT-WID-TEL-TET	CTM Kit Fixed Telescoping Wide, Tethered Pin					✓	✓					

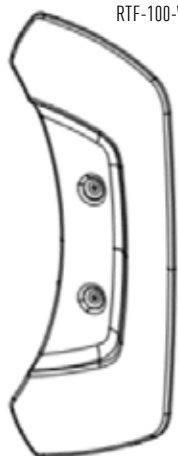
## TRACTOR AEROKIT REAR FAIRING

The rear fairing assembly connects to the truck behind the rear wheel. It replaces the existing mud flap hanger and works in conjunction with the center fairing and wheel covers to reduce air turbulence around the rear wheels of the tractor.

REAR FAIRING DIAGRAM



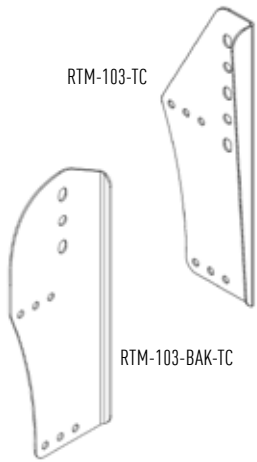
FAIRINGS



RTF-100-WHT

### Rear Fairing Panels

PART NUMBER	REF	DESCRIPTION	NOTES
RTF-100-BLK	11	Black	Standard Rear Fairing
RTF-100-GRY	11	Granite Gray	Standard Rear Fairing
RTF-100-WHT	11	White	Standard Rear Fairing
RTF-100-BLU	11	JNJ Blue	Standard Rear Fairing
RTF-100-MVT	11	MVT Blue	Standard Rear Fairing
C-RTF-100-BLK-LH	11	Trimmed Fairing - Black, Left Side	2.5" trimmed off the top of our standard Fairings, for custom applications
C-RTF-100-BLK-RH	11	Trimmed Fairing - Black, Right Side	2.5" trimmed off the top of our standard Fairings, for custom applications
C-RTF-100-GRY-LH	11	Trimmed Fairing - Gray, Left Side	2.5" trimmed off the top of our standard Fairings, for custom applications
C-RTF-100-GRY-RH	11	Trimmed Fairing - Gray, Right Side	2.5" trimmed off the top of our standard Fairings, for custom applications
C-RTF-100-WHT-LH	11	Trimmed Fairing - White, Left Side	2.5" trimmed off the top of our standard Fairings, for custom applications
C-RTF-100-WHT-RH	11	Trimmed Fairing - White, Right Side	2.5" trimmed off the top of our standard Fairings, for custom applications

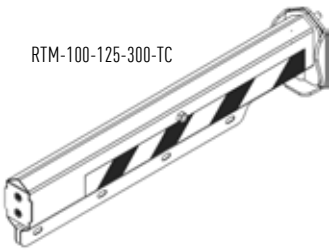


## Rear Fairing Adapter Plates

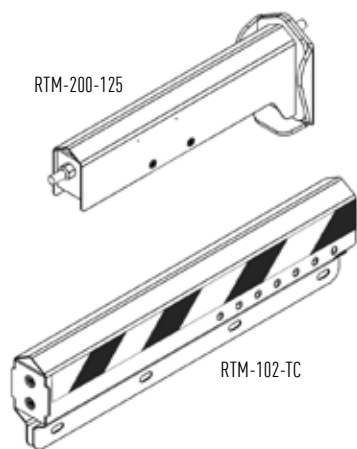
PART NUMBER	REF	DESCRIPTION	NOTES
RTM-103-TC	12	RTM-103-TC	Rear fairing adapter plate - connects the rear fairing to the rear hanger
RTM-103-BAK-TC	12	RTM-103-BAK-TC	Variant of RTM-103. Used for short truck wheel base applications and allows the fairing to mount further back.

## Fixed Length Rear Hangers

PART NUMBER	REF	DESCRIPTION	MUDFLAP HANGER BOLT HOLE SPACING - DISTANCE BETWEEN THE HOLES WHERE THE HANGER WILL MOUNT ON THE FRAME	LENGTH OF THE HANGER	TRUCK SIDE
RTM-100-125-255-LH-TC	13a	Rear Tandem Mount - Mudflap Hanger	1.25"	25.5"	Left
RTM-100-125-255-RH-TC	13a	Rear Tandem Mount - Mudflap Hanger	1.25"	25.5"	Right
RTM-100-125-255-TC	13a	Rear Tandem Mount - Mudflap Hanger	1.25"	25.5"	Either
RTM-100-125-270-LH-TC	13a	Rear Tandem Mount - Mudflap Hanger	1.25"	27"	Left
RTM-100-125-270-RH-TC	13a	Rear Tandem Mount - Mudflap Hanger	1.25"	27"	Right
RTM-100-125-270-TC	13a	Rear Tandem Mount - Mudflap Hanger	1.25"	27"	Either
RTM-100-125-285-LH-TC	13a	Rear Tandem Mount - Mudflap Hanger	1.25"	28.5"	Left
RTM-100-125-285-RH-TC	13a	Rear Tandem Mount - Mudflap Hanger	1.25"	28.5"	Right
RTM-100-125-285-TC	13a	Rear Tandem Mount - Mudflap Hanger	1.25"	28.5"	Either
RTM-100-125-300-LH-TC	13a	Rear Tandem Mount - Mudflap Hanger	1.25"	30"	Left
RTM-100-125-300-RH-TC	13a	Rear Tandem Mount - Mudflap Hanger	1.25"	30"	Right
RTM-100-125-300-TC	13a	Rear Tandem Mount - Mudflap Hanger	1.25"	30"	Either
RTM-100-125-315-LH-TC	13a	Rear Tandem Mount - Mudflap Hanger	1.25"	31.5"	Left
RTM-100-125-315-RH-TC	13a	Rear Tandem Mount - Mudflap Hanger	1.25"	31.5"	Right
RTM-100-125-315-TC	13a	Rear Tandem Mount - Mudflap Hanger	1.25"	31.5"	Either
RTM-100-200-255-TC	13a	Rear Tandem Mount - Mudflap Hanger	2"	25.5"	Either
RTM-100-200-270-TC	13a	Rear Tandem Mount - Mudflap Hanger	2"	27"	Either
RTM-100-200-285-TC	13a	Rear Tandem Mount - Mudflap Hanger	2"	28.5"	Either
RTM-100-200-300-TC	13a	Rear Tandem Mount - Mudflap Hanger	2"	30"	Either
RTM-100-200-315-TC	13a	Rear Tandem Mount - Mudflap Hanger	2"	31.5"	Either
RTM-100-250-255-LH-TC	13a	Rear Tandem Mount - Mudflap Hanger	2.5"	25.5"	Left
RTM-100-250-255-RH-TC	13a	Rear Tandem Mount - Mudflap Hanger	2.5"	25.5"	Right
RTM-100-250-255-TC	13a	Rear Tandem Mount - Mudflap Hanger	2.5"	25.5"	Either
RTM-100-250-270-LH-TC	13a	Rear Tandem Mount - Mudflap Hanger	2.5"	27"	Left
RTM-100-250-270-RH-TC	13a	Rear Tandem Mount - Mudflap Hanger	2.5"	27"	Right
RTM-100-250-270-TC	13a	Rear Tandem Mount - Mudflap Hanger	2.5"	27"	Either
RTM-100-250-285-LH-TC	13a	Rear Tandem Mount - Mudflap Hanger	2.5"	28.5"	Left
RTM-100-250-285-RH-TC	13a	Rear Tandem Mount - Mudflap Hanger	2.5"	28.5"	Right
RTM-100-250-285-TC	13a	Rear Tandem Mount - Mudflap Hanger	2.5"	28.5"	Either
RTM-100-250-300-LH-TC	13a	Rear Tandem Mount - Mudflap Hanger	2.5"	30"	Left
RTM-100-250-300-RH-TC	13a	Rear Tandem Mount - Mudflap Hanger	2.5"	30"	Right
RTM-100-250-300-TC	13a	Rear Tandem Mount - Mudflap Hanger	2.5"	30"	Either
RTM-100-250-315-LH-TC	13a	Rear Tandem Mount - Mudflap Hanger	2.5"	31.5"	Left
RTM-100-250-315-RH-TC	13a	Rear Tandem Mount - Mudflap Hanger	2.5"	31.5"	Right
RTM-100-250-315-TC	13a	Rear Tandem Mount - Mudflap Hanger	2.5"	31.5"	Either



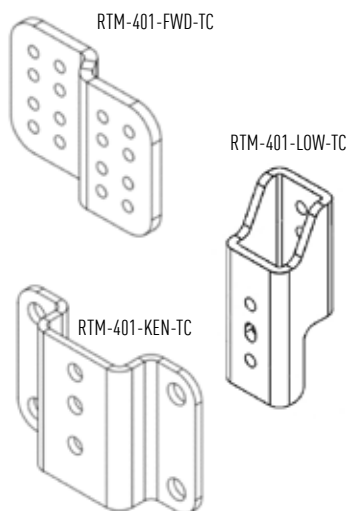
## HANGERS (continued)



### Adjustable Length Rear Hangers

PART NUMBER	REF	DESCRIPTION	MUDFLAP HANGER BOLT HOLE SPACING - DISTANCE BETWEEN THE HOLES WHERE THE HANGER WILL MOUNT ON THE FRAME	LENGTH OF THE HANGER	TRUCK SIDE
RTM-200-125	13b	Rear Tandem Mount - Mudflap Hanger Post	1.25"	Adjustable	Either
RTM-200-200	13b	Rear Tandem Mount - Mudflap Hanger Post	2"	Adjustable	Either
RTM-200-250	13b	Rear Tandem Mount - Mudflap Hanger Post	2.5"	Adjustable	Either
RTM-102-TC	13b	Rear Tandem Mount - Mudflap Hanger Sleeve	N/A	Adjustable	Either

## MOUNTING BRACKETS



### Rear Hanger Mounting Brackets

PART NUMBER	REF	DESCRIPTION	NOTES
RTM-401-FWD-TC	14	RTM Forward Adapter- 1.25 and 2.5 Inches hole spacing.	Used to enable the rear fairing to shift forward, closer to the rear tire. Also pushes the fairing out by 1.5", which would need to be considered when determining the necessary Rear Hanger length.
RTM-401-KEN-TC	14	RTM Kenworth Adapter, 1.25 and 2.5 Inches hole spacing.	Used on all Kenworth T680s to enable the Rear Hanger to attach to the frame without needing to drill holes. This pushes the fairing out by 1.5", which would need to be considered when determining the necessary rear hanger length.
RTM-401-LOW-TC	14	RTM Low Adapter, 1.25 and 2.5 Inches hole spacing.	Used to lower the rear hanger, which lowers the positioning of the rear fairing. This pushes the fairing out by 1.5", which would need to be considered when determining the necessary rear hanger length.

## MUDFLAPS

### Mudflaps

PART NUMBER	REF	DESCRIPTION	NOTES
MFL-100-DUA	15	Mudflap - Dual	Standard Tractor AeroKit mudflap for duals
MFL-100-SWD	15	Mudflap - Single	Standard Tractor AeroKit mudflap for widebase
MFL-100-ECO	15	Flow through aerodynamic mudflap - 24" wide x 27" tall	Standard Trailer AeroSlider mudflap

## HARDWARE KITS

### Rear Fairing Hardware Kits

PART NUMBER	DESCRIPTION	NOTES
HWK-001	Hardware Kit - 3/8 Inch Fasteners	Attaches the Rear Fairing to the Adapter Plate. Attaches the Mudflap to the hanger. Each Kit has enough hardware to install 1 fairing and mudflap.
HWK-002	Hardware Kit - 1/2 Inch Fasteners	Attaches the Adapter Plate to the Rear Hanger and the Rear Hanger to the frame. Each Kit has enough hardware to install 2 Rear Hangers. (One full truck)
HWK-004	Hardware Kit - 1/2 Inch Fasteners	Used with the Optional Brackets to attach the bracket to the truck frame. One Kit is enough for 2 Rear Hangers.
HWK-007	Hardware Kit - 1/2 Inch Fasteners	For attaching the post to the sleeve. 1 kit = 2 sides.



## Rear Fairing Mounting Kits

Each FlowBelow Rear Mounting Kit contains the brackets and hardware required to install 2 rear fairings. The kits DO NOT include the Rear Fairing. Those must be purchased separately.

PART NUMBER	DESCRIPTION	MF HANGER HOLE SPACING					FRAME-TO-SIDEWALL					
		1 - 1/8"	2"	2 - 1/2"	Low	Kenworth	Adjustable	25.5"	27"	28.5"	30"	31.5"
RTM-KIT-125-ADJ	RTM Kit 1 1/8" Adjustable	✓					✓					
RTM-KIT-200-ADJ	RTM Kit 2" Adjustable		✓				✓					
RTM-KIT-250-ADJ	RTM Kit 2 1/2" Adjustable			✓			✓					
RTM-KIT-LOW-ADJ	RTM Kit Low Adjustable				✓		✓					
RTM-KIT-KEN-ADJ	RTM Kit Kenworth Adjustable					✓	✓					
RTM-KIT-125-255	RTM Kit 1 1/8" Fixed 25.5"	✓						✓				
RTM-KIT-125-270	RTM Kit 1 1/8" Fixed 27"	✓							✓			
RTM-KIT-125-285	RTM Kit 1 1/8" Fixed 28.5"	✓								✓		
RTM-KIT-125-300	RTM Kit 1 1/8" Fixed 30"	✓									✓	
RTM-KIT-125-315	RTM Kit 1 1/8" Fixed 31.5"	✓										✓
RTM-KIT-200-255	RTM KIT 2" Fixed 25.5"		✓					✓				
RTM-KIT-200-270	RTM KIT 2" Fixed 27"		✓						✓			
RTM-KIT-200-285	RTM KIT 2" Fixed 28.5"		✓							✓		
RTM-KIT-200-300	RTM KIT 2" Fixed 30"		✓								✓	
RTM-KIT-200-315	RTM KIT 2" Fixed 31.5"		✓									✓
RTM-KIT-250-255	RTM Kit 2 1/2" Fixed 25.5"			✓				✓				
RTM-KIT-250-270	RTM Kit 2 1/2" Fixed 27"			✓					✓			
RTM-KIT-250-285	RTM Kit 2 1/2" Fixed 28.5"			✓						✓		
RTM-KIT-250-300	RTM Kit 2 1/2" Fixed 30"			✓							✓	
RTM-KIT-250-315	RTM Kit 2 1/2" Fixed 31.5"			✓								✓
RTM-KIT-LOW-270	RTM Kit Low Fixed 27"				✓				✓			
RTM-KIT-LOW-285	RTM Kit Low Fixed 28.5"				✓					✓		
RTM-KIT-LOW-300	RTM Kit Low Fixed 30"				✓						✓	
RTM-KIT-LOW-315	RTM Kit Low Fixed 31.5"				✓							✓
RTM-KIT-KEN-270	RTM Kit Kenworth Fixed 27"					✓			✓			
RTM-KIT-KEN-285	RTM Kit Kenworth Fixed 28.5"					✓				✓		
RTM-KIT-KEN-300	RTM Kit Kenworth Fixed 30"					✓					✓	
RTM-KIT-KEN-315	RTM Kit Kenworth Fixed 31.5"					✓						✓

At FlowBelow, our team is dedicated to delivering durable and effective products while supporting each and every customer.

If you have any questions about our products or components, please give us a call at 512.520.5350 and let us help.

## CONFIGURATION QUESTION?

Visit our online spec sheet at:  
[www.flowbelow.com/how-to-spec](http://www.flowbelow.com/how-to-spec)

Complete the spec sheet to help us determine the perfect fit for your truck.

### FlowBelow Aero

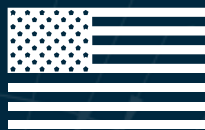
106 E Old Settlers Blvd  
Building D-100  
Round Rock, TX 78664

phone 512.520.5350

web [www.flowbelow.com](http://www.flowbelow.com)

email [sales@flowbelow.com](mailto:sales@flowbelow.com)

MADE IN



U. S. A.

*FlowBelow*<sup>TM</sup>